

TAKE OFF

Adjustable tables II



USA price list

Effective January 31st, 2018

UPDATED - March 15th, 2019
update summary - p.27

artopex[®]



interactive links

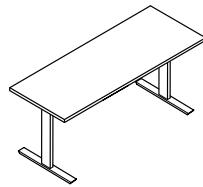
index, page tabs & page references

→ document optimized for single page view

VISUAL INDEX	4
<hr/>	
GENERAL INFORMATION	5
<hr/>	
general characteristics	6
specification examples	14
finish choices chart	15
ADJUSTABLE TABLES II	16
<hr/>	
rectangular tables	17
90° corner table with rectangular reversible surfaces	18
90° corner tables with curved interior	19
120° corner tables with curved interior	21
pneumatic adjustable tables	22
COMPLEMENTS	23
<hr/>	

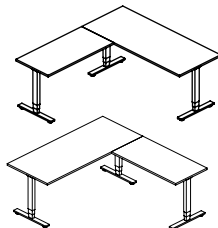
RECTANGULAR TABLES 17

- TEE3Pi2970
- TEE3Pi2964
- TEE3Pi2958
- TEE3Pi2952
- TEE3Pi2946
- TEE3Pi2370
- TEE3Pi2364
- TEE3Pi2358
- TEE3Pi2352
- TEE3Pi2346



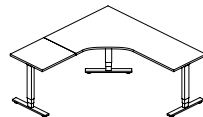
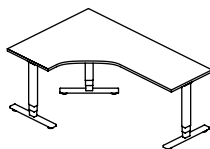
90° CORNER TABLE WITH RECTANGULAR REVERSIBLE SURFACE 18

- TEE3PCR23297670
- TEE3PCR23297070
- TEE3PCR23296470
- TEE3PCR23237070
- TEE3PCR23236470
- TEE3PCR23235870



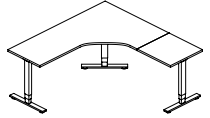
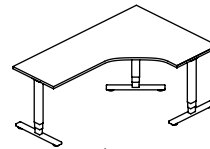
90° RIGHT EXTENDED CORNER TABLES WITH CURVED INTERIOR ACCESS 19

- TEE3PCO23297082R
- TEE3PCO23297070R
- TEE3PCO23295870R
- TEE3PCO23237082R
- TEE3PCO23237070R
- TEE3PCO23235870R
- TEE3PCO23234670R
- TEE3PCO23235858R
- TEE3PCO23234658R



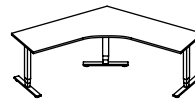
90° LEFT EXTENDED CORNER TABLES WITH CURVED INTERIOR ACCESS 20

- TEE3PCO29238270L
- TEE3PCO29237070L
- TEE3PCO29237058L
- TEE3PCO23238270L
- TEE3PCO23237070L
- TEE3PCO23237058L
- TEE3PCO23237046L
- TEE3PCO23235858L
- TEE3PCO23235846L



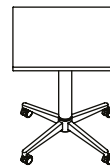
120° CORNER TABLE WITH CURVED INTERIOR ACCESS 21

- TEE3PCV29295858
- TEE3PCV29295252
- TEE3PCV29294646
- TEE3PCV23235858
- TEE3PCV23235252
- TEE3PCV23234646

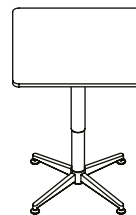


PNEUMATIC ADJUSTABLE TABLES 22

- POPUPS3030
- POPUPS2424



- POPUPSR3030
- POPUPSR2424

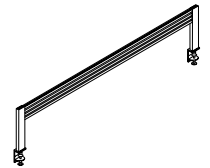


- POPUPR30
- POPUPR24

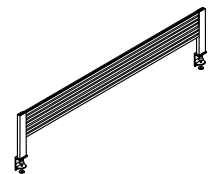


ACCESSORY BARS ON POSTS 23

- VAPBS1266
- VAPBS1260
- VAPBS1254
- VAPBS1248
- VAPBS1242
- VAPBS1236
- VAPBS1230

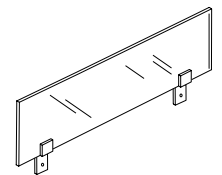


- VAPBD1266
- VAPBD1260
- VAPBD1254
- VAPBD1248
- VAPBD1242
- VAPBD1236
- VAPBD1230



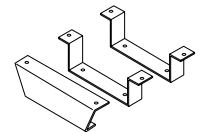
FROSTED ACRYLIC SCREENS 24

- VRB66
- VRB60
- VRB54
- VRB48
- VRB42
- VRB36
- VRB30



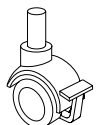
SPACING BRACKETS 25

- AC-OSB



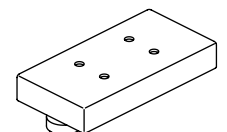
CASTERS FOR ADJUSTABLE TABLE BASES 25

- TL-CAS4



SHORT FOOTING 25

- AC-BUNF



General Information

TAKE OFF ADJUSTABLE TABLES II


Take Off adjustable tables II work in open office configurations, in collaborative settings and in private offices.

They adapt to all tasks in any environment and their sleek, contemporary lines blend ingeniously with all Artopex collections.

This price list includes the electric height-adjustable tables of the Take Off Collection as well as the associated accessories.

THE LIMA SERIES

This series is characterized by either a T.F.L. or H.P.L. surface with straight edge banding. Available in a 1" thickness.

 Lima
1"



GENERAL CHARACTERISTICS

MATERIALS

Work surfaces are made of 1" (25 mm) thick pressed wood. Surfaces can be ordered in either Thermally Fused or High Pressure laminate. Add $\frac{1}{16}$ " (1.6 mm) to the thickness of High Pressure laminate surfaces. There is a $\frac{3}{32}$ " (2.5 mm) thick PVC edge banding on the work surface with a choice of matching or contrasting colors, striped or fluted.

WOOD GRAIN DIRECTION

Surfaces

The wood grain runs parallel to the longest side of the surface.

LAMINATE FINISHES

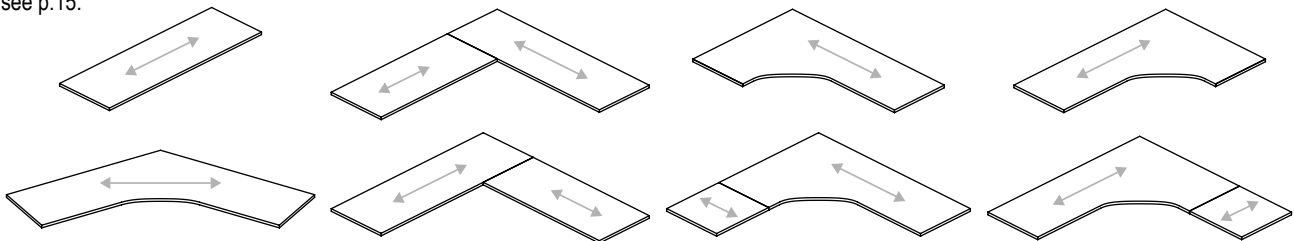
The available finishes are divided into 2 categories:

- The **"Surface"** finish (applied on the surface of tables).
- The **"Edge banding"** finish (surface contour).

ASSEMBLY AND HARDWARE

The adjustable tables II are delivered knockdown with the base components packaged in multiple boxes with the necessary hardware included. Pre-drilled holes are provided to facilitate the positioning of the base for installation.

Refer to the product descriptions and finish chart for more information, see p.15.



MEETING TABLE WITH PNEUMATIC BASE ADJUSTMENT SYSTEM

The adjustable meeting tables have a metal base with a Silver or Black finish.

The cross base is 26 1/2" wide. 4 1/2" long levelers or 4 2" wide casters can be installed and are included in the hardware bag.

The central column is a round, 3" wide. The 18" adjustment range allows you to reach a minimum height of 27 1/4" with levelers or 29" with casters and a maximum height of 42 1/2" with levelers or 44 1/2" with casters.

The maximum recommended load is 8kg (17,6 lbs) for proper operation of the adjustment system.



TABLE BASE WITH ELECTRICAL ADJUSTMENT

Take Off adjustable tables II have a metal base with a Silver or Black finish and legs with 3 sections. Its contemporary design blends with the styles of the various Artopex collections.

"T" BASES

The base of the adjustable tables II is composed of 2 or 3 legs: "T" legs (column is centered on the foot). A rectangular column 2" L. x 3 1/8" D. is attached to a 23 1/2" or **27 1/2" x 3 1/8" x 1 3/4" H. Short levelers allow stability adjustment only, and longer levelers with 1/2" adjustment may be ordered.

(** 27 1/2" : on rectangular table models 29" deep only.)

STIFFENERS

Some tables include 1 or more black stiffeners.

WIRE FASTENERS

Five fasteners are provided with the base for attaching cables under the surface.

CASTERS

A set of 4 casters 2" H. in black plastic (2 with brakes) is available (ordered separately).

The casters will replace the glides, to be installed on site.



ELECTRIC HEIGHT ADJUSTMENT

• Electric activation system

Power cord with a conventional wall connection.

- 2 legs : 70" without ground

- 3 legs : 118" with ground

ANSI/Bifma compliant, UL Certified (CAN-US).

• Intuitive control pad with 3 customizable heights

The control pad installs on the front under the surface, on the left or right.

• Height adjustment range (1" Lima surface)

- 3 sections: 24 1/2" to 50" H.

• Operating speed: 1 1/4" per second.

• Sound level: 42 dB.

• Weight capacity:

- 2 legs: 320 lbs
- 3 legs: 400 lbs (including the surface weight).

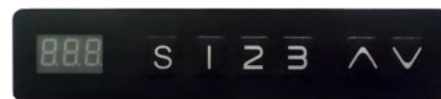
The table will not be functional beyond this capacity.

• Automatic movement blocking / collision detector

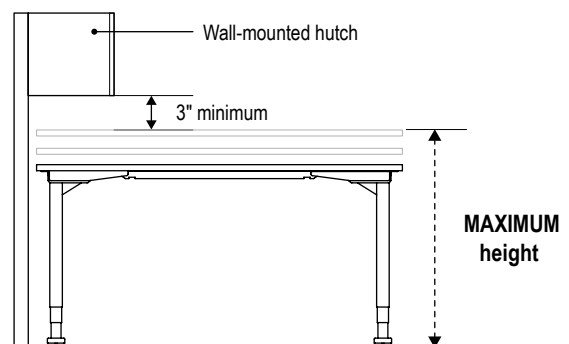
- 12 kg and more going up

- 9 kg and more going down

However, a 3" minimum space between the underside of the hutch and the surface of the height-adjustable table at its maximum height is recommended.

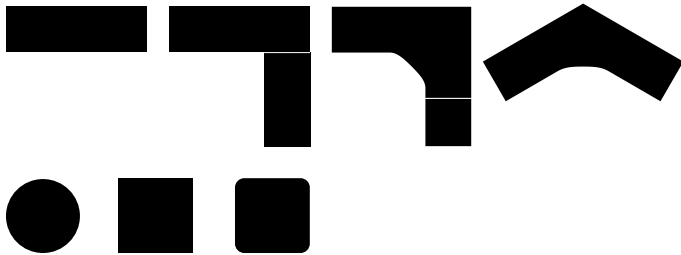


Intuitive control pad



SURFACE SHAPES AND DIMENSIONS

Adjustable tables II are available in different shapes and dimensions:



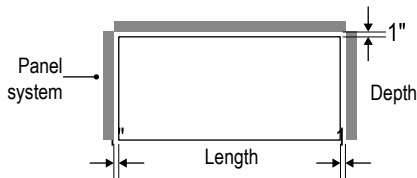
Length and depth

The dimensions of the adjustable tables II indicated in the price list are exact.

The adjustable tables have:

1" less in depth and 2" less in length than Take Off Freestanding tables.

A 1" clearance is created when the table is surrounded by walls, divider screens or panel system in order to prevent finger pinching when mechanism is functioning.



IMPORTANT !

For security reasons: ensure a minimum clearance of 1" on all sides of the table when placed with freestanding furniture.

INTERIOR CLEARANCE

STANDARD POSITION

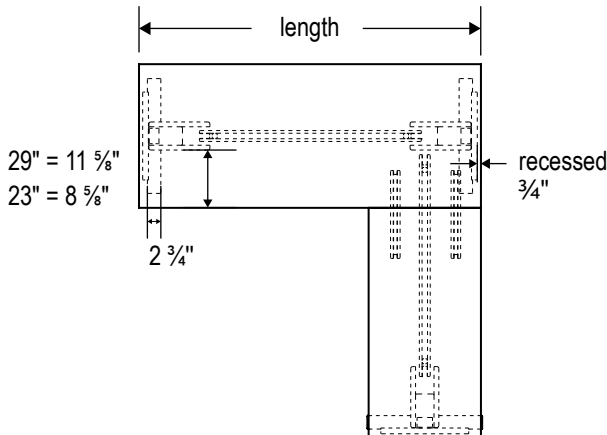
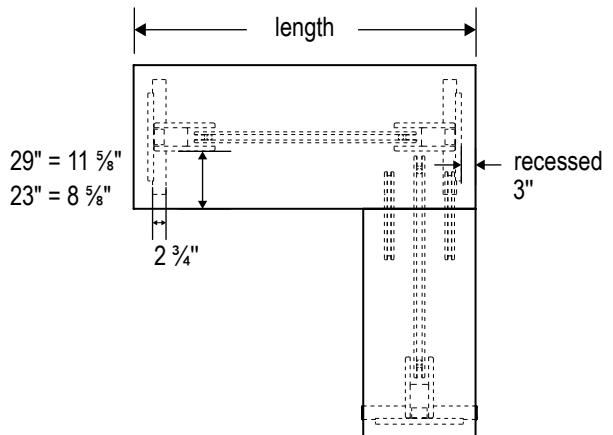


Table LENGTH = length indicated in price list.

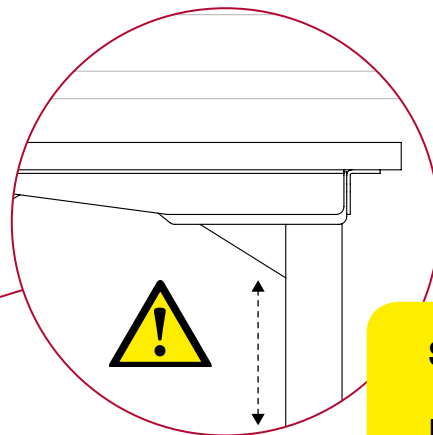
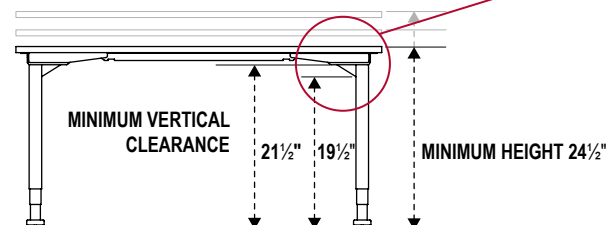
CLEARANCE POSITION FOR LATERAL SCREENS



INTERIOR CLEARANCE - VERTICAL

The vertical clearance indicates the **free space under the structural beams of the height-adjustable table II** when the table is at its minimum height.

To ensure that the adjustable table is compatible with a mobile pedestal, a credenza or any other storage unit, refer to product heights as indicated in the price list.



**STORAGE CABINET
MAXIMUM
HEIGHT 19"**

GROMMETS (OPTIONAL)

The surfaces of the adjustable tables II do not come standard with grommets but they can be added.

In the "Option" (grommets) section: add position: Left (L), Center (C), Right (R) and/or Return (E) and the finish: White (G1) or Charcoal (G2) plastic grommets can be added when specifying the product.

The grommet with the Artopex logo has a cover with two openings:

- The first opening is for large cables (screen, computer, lamp, etc.).
- The second opening is for small wires (cell, USB plug, etc.).
- Dimensions of opening when the cover is removed: 1 5/8" x 3 3/8".



Rectangular grommet

MULTI-OUTLET (OPTIONS)

Built-in multi-outlet is available for the adjustable tables II surfaces. The surface with the multi-outlet is prepared in our factory and the connection box must be added during installation. In the "Options" (Multi-outlet) section, add the code (UC), and the location of the module: Left (L), Center (C), Right (R) and/or Return (E).

The black plastic multi-outlet module has:

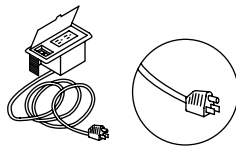
- 2 electrical outlets with ground and 12 AMP circuit-breaker.
- 2 openings for telecommunications adapter.
- The retractable lid that can be closed when not in use.

CONNECTION TYPE

The multi-outlet is available with a conventional wall connection, UL and CSA certified. Power cord 108" long.



UC Multi-outlet

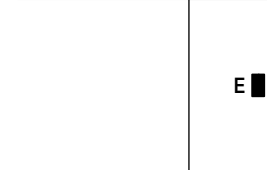
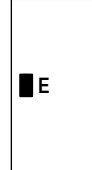


Multi-outlet UC
1-circuit with conventional
wall connection

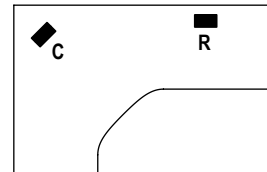
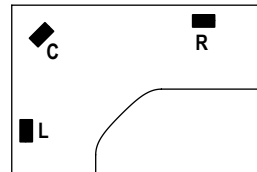
Grommet and multi-outlet positions



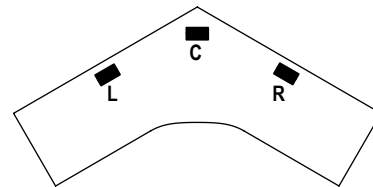
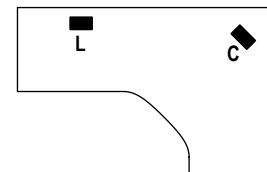
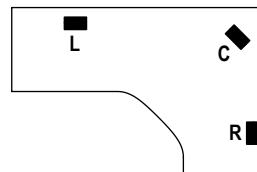
Reversible



Extended on the right

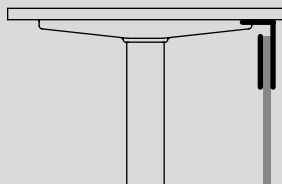


Extended on the left



MULTI-OUTLET

The module will be visible under the table (1 3/4" H. with 1" Lima surface). It can be concealed by adding a Take Off modesty panel (sold separately).



Grommets and multi-outlets cannot be specified at the same position.

CABLE MANAGEMENT (ITEMS SOLD SEPARATELY)

Components allow for the routing of cables under the surface of the Take Off adjustable table II.

FLEXIBLE BRAIDED SLEEVE

(see Accessory price list)

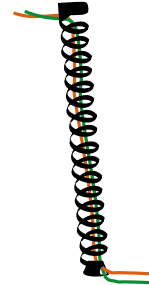
- To contain and route cables
- 1 ¼" dia. x 72" long.
- Provides cable management from the surface to the floor.
- Black polyester



EXTENDABLE WIRE MANAGER

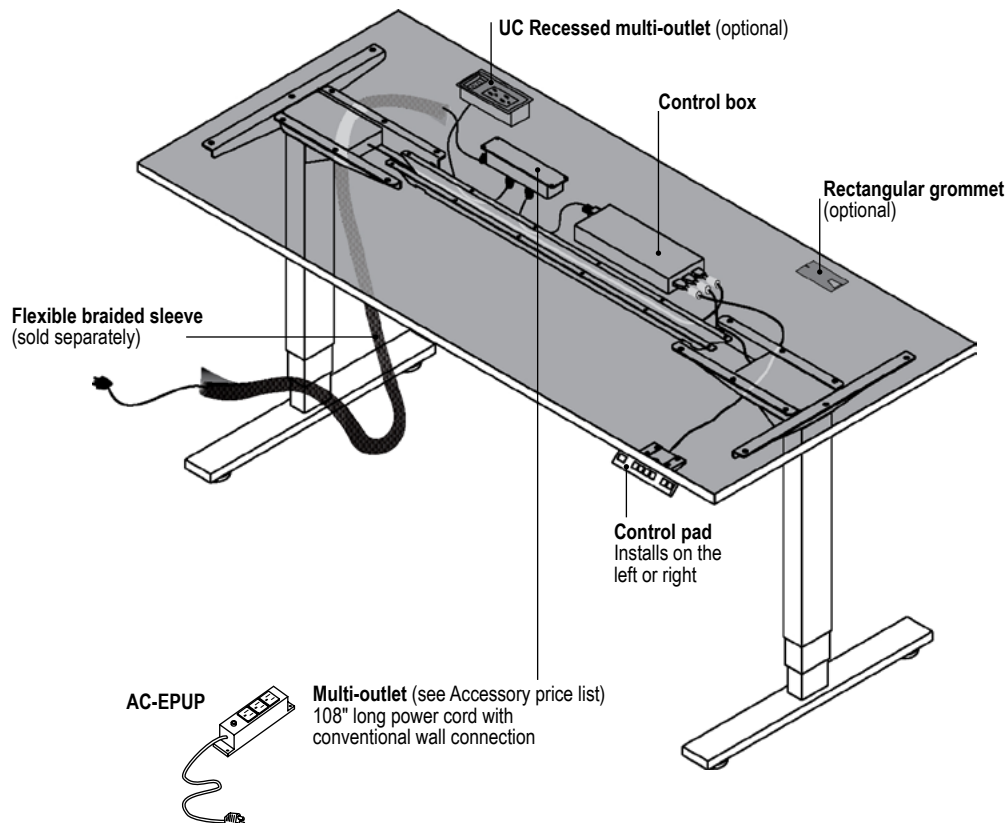
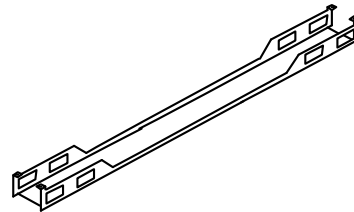
(see the Accessory price list)

- Installs under a surface with screws.
- 3 ½" diameter spiral extends up to 84" H.
- The floor base has a 6" diameter.
- Provides routing of wiring from surface to floor.
- Plastic, Black finish.



METAL CABLE TRAY

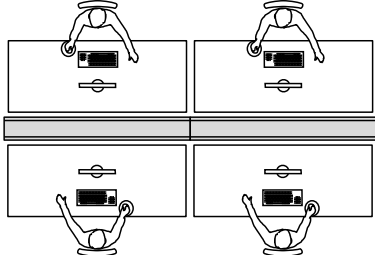
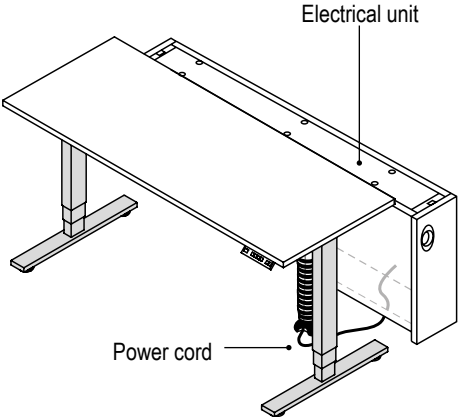
Metal cable tray, with a silver finish, installs under a work surface, and allows for the routing of cabling. Cable access via both ends and sides. Opening can accommodate moveable outlets (AC-ECM, AC-ECMK), telecommunication outlets (AC-ERF, E2-ERD), or can accommodate 1-circuit electrical system, see Accessory price list.



CONFIGURATION EXAMPLES WITH ELECTRICAL CONNECTION AND CABLE MANAGEMENT

ELECTRICAL UNIT - AIR LINE

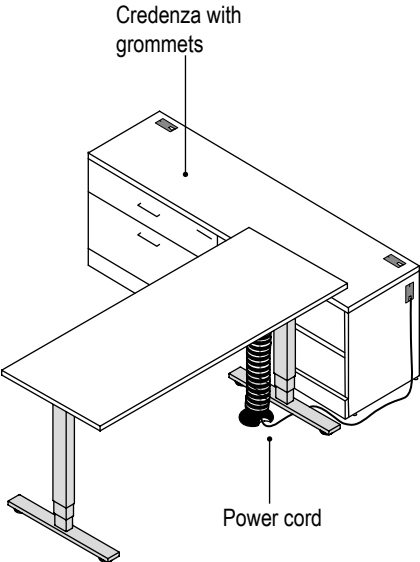
The electrical unit allows for cable management and can accommodate 4-circuit or 1-circuit system components.



The power cord is routed from under the electrical unit.

TAKE OFF - CREDENZA

Take Off credenzas and some storage units have a top and side grommet option.

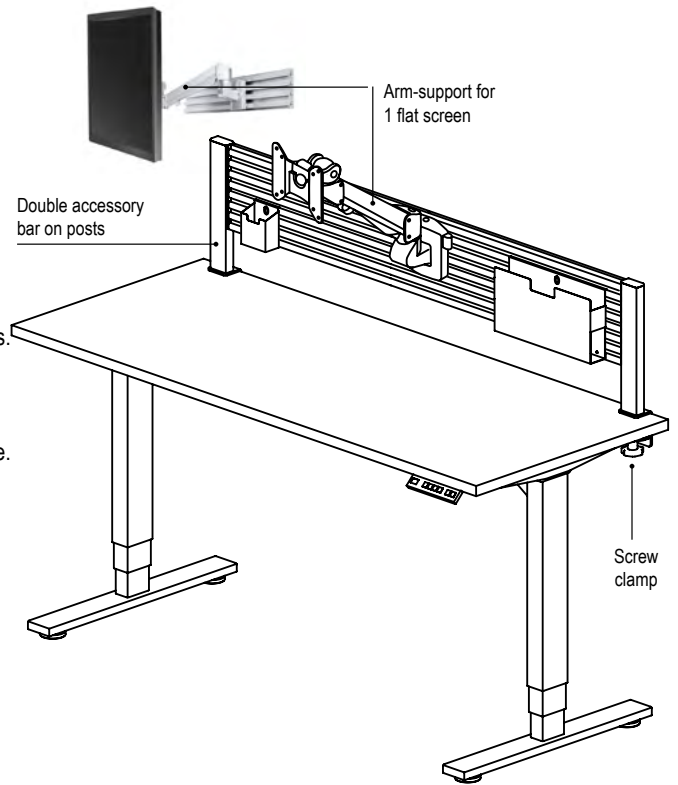


COMPLEMENTS

ACCESSORY BAR ON POSTS

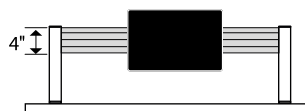
- Stronger than the Take Off single or double (VAPB_) accessory bars, this bar is designed for the installation of a flat screen arm-support and / or Artopex accessories. One functional side only.
- Metal accessory bar 12" H. x 1" thick with:
1 hanging section 4" H. (single) or 8" H. (double).
- Installs with screw clamps to a 1", 1 1/2" or 2" thick work surface.
- Accessory bar and posts are Silver finish with Black plastic finishing caps.
- Assembly screws are visible at the back of the accessory bar.

In general, the bar length is intended to allow for a 2 1/4" clearance on each side.

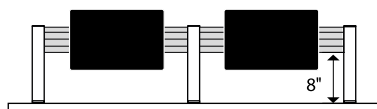


Length Bar	For use with table (length):			
	Rect. / dual-depth	Rect. corner	90° corner	120° corner
65 1/2"	70"	70-76"	70-82"	
59 1/2"	64"	64"		
53 1/2"	58"	58"	58"	58"
47 1/2"	52"			52"
41 1/2"	46"		46"	46"
35 1/2"				
29 1/2"				

SINGLE ACCESSORY BARS



2 supporting posts: 29 1/2" to 53 1/2" L.
1 flat screen arm-support can be attached.

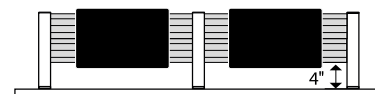


3 supporting posts: 59 1/2" L. and more.
2 flat screen arm-supports can be attached.

DOUBLE ACCESSORY BARS



2 supporting posts: 29 1/2" to 53 1/2" L.
1 flat screen arm-support can be attached.



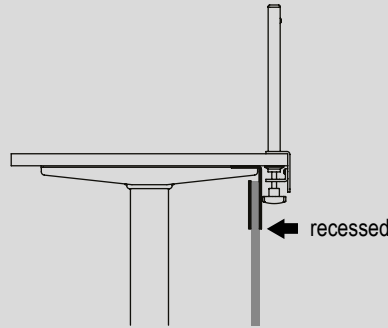
3 supporting posts: 59 1/2" L. and more.
2 flat screen arm-supports can be attached.

COMPLEMENTS



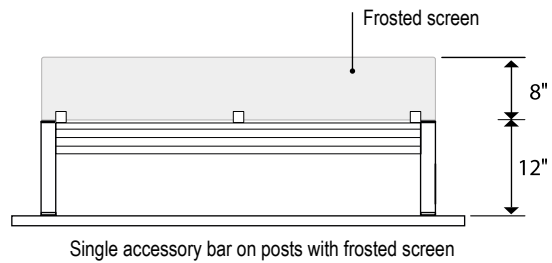
MODESTY PANEL AND ACCESSORY BAR

In order for the screw clamps to function under the surface, the accessory bar with posts can only be installed on an adjustable table with a recessed modesty panel.



8" H. FROSTED SCREENS

Rectangular frosted (on one side) acrylic screen of the **same length** installs on the top of an accessory bar with posts (single or double) and attaches to the back with fastening clips.

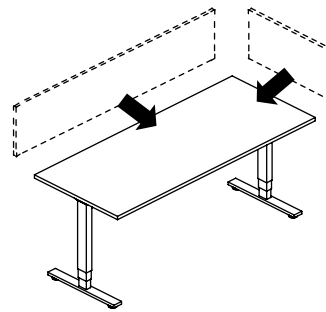


TAKE OFF PRIVACY PANELS, MODESTY PANELS AND ACCESSORY BARS

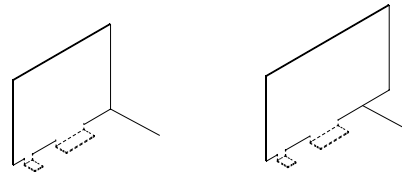
Privacy panels and modesty panels (laminated, frosted) as well as single or double-height accessory bars from the Take Off Freestanding collection can be installed on the adjustable tables.

The maximum length for an Take Off privacy or modesty panel or for an accessory bar on a adjustable table is 4" less than the length of the surface.

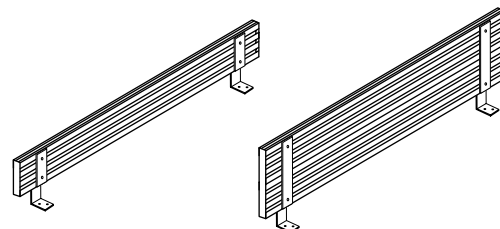
RECTANGULAR TABLES



LATERAL SCREENS

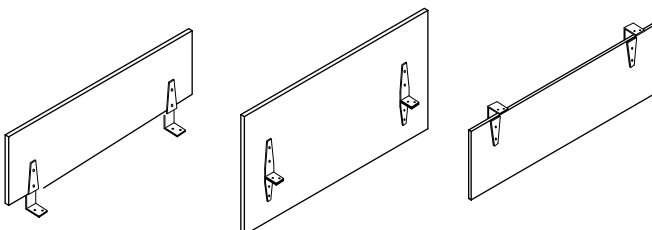


SIMPLE OR DOUBLE ACCESSORY BARS



Screen	Rect.	Rect. corner	90° corner	120° corner
72"		76"	82"	
66"	70"	70"	70"	
60"	64"	64"		
54"	58"	58"	58"	58"
48"	52"			52"
42"	46"		46"	46"

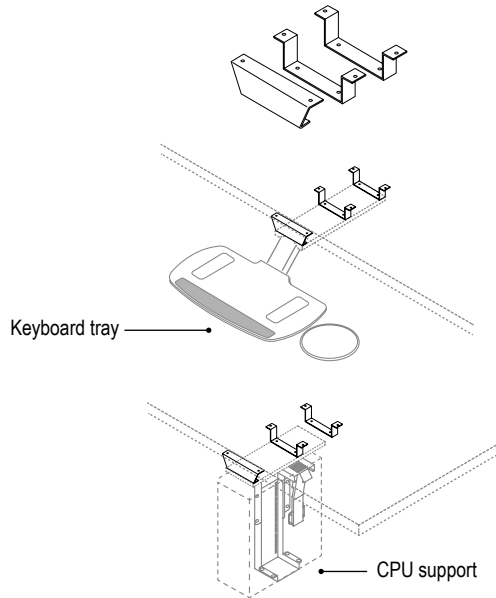
PRIVACY AND MODESTY PANEL



COMPLEMENTS

SPACING BRACKETS

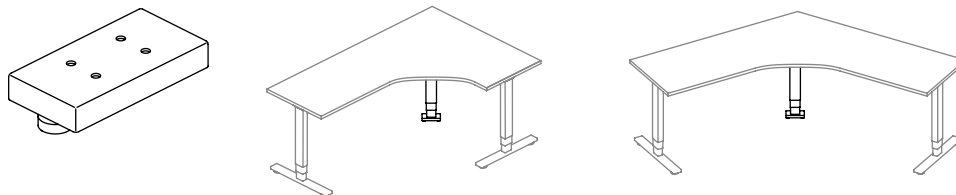
The spacing brackets allow for the installation of ergonomic accessories under the surface of an adjustable table, or under any other surface equipped with structural beams. The brackets lower the installation plate of the accessory by 2 1/4" H. Brackets are made of metal with a black finish.



The spacing brackets install onto the keyboard tray or CPU support with bolts (included) then to the surface with screws.

SHORT FOOTING

The corner foot can be replaced with a short footing.



IMPORTANT !

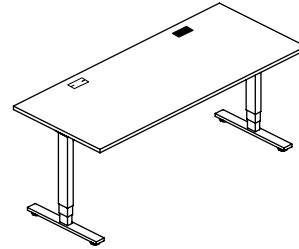
The short footing can only replace a corner foot on corner tables with curved interior acces: TEE3PCO and TEE3PCV.



SPECIFICATION EXAMPLE

RECTANGULAR TABLE - ELECTRIC HEIGHT-ADJUSTABLE

Dimensions: 23" x 58"



SPECIFY

	Code	Surface	Edge	Grom.	M-Outlet
TL -	TEE2Pi2358	MGX	0GX	G1L	UCR

OPTIONS




TL: Lima (top 1")
Surface: Galaxy (T.F.L.)
Edge band: Galaxy
Grommet option: White (G1) Left (L)
Multi-outlet option: on the right (UCR)

Ordering code: **TL-TEE2Pi2358-MGX/0GX-G1L-UCR**

FINISH CHOICES CHART

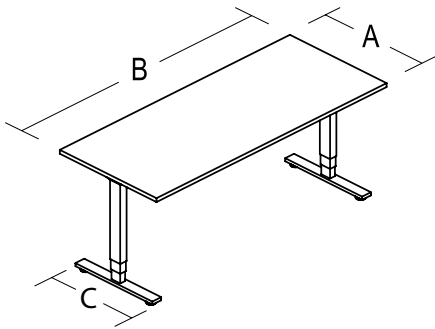
This is the coding system to use in the specific fields of the price list in reference to choice of colors. Some exceptions apply, see the chart below or the finishing cards.

Warning! Colors, especially dark colors, may vary between Thermally Fused Laminate (T.F.L.) and High Pressure Laminate (H.P.L.).

SURFACE		EDGE BANDS (SURFACE)		LEGS
T.F.L.	H.P.L.	REGULAR EDGES	STRIPPED EDGES	METAL
<p>DOLOMITE FINISH</p> <p>Antique White (MAW)</p> <p>Charcoal (MF)</p> <p>Frost (MA)</p> <p>White (MBW)</p>	<p>MAT FINISH</p> <p>Antique White (SAW)</p> <p>Cayenne Maple (SCM)</p> <p>Charcoal (SF)</p> <p>Cherry (SCH)</p> <p>Chestnut (SCG)</p> <p>Dark Oak (SDK)</p> <p>Douglas Pine (SDP)</p> <p>Frost (SA)</p> <p>Honey (SHO)</p> <p>Maritime Maple (SEM)</p> <p>Mocha (SPM)</p> <p>Tobacco Cherry (STC)</p> <p>White (SBW)</p> <p>Willow Grey (SWG) **</p>	<p>Aluminum (0W)</p> <p>Antique White (0AW)</p> <p>Black (0N)</p> <p>Carbon (0CB)</p> <p>Cayenne Maple (0CM)</p> <p>Charcoal (0F)</p> <p>Cherry (0CH)</p> <p>Chestnut (0CG)</p> <p>Dalia (0DA)</p> <p>Dark Oak (0DK)</p> <p>Douglas Pine (0DP)</p> <p>Frost (0A)</p> <p>Galaxy (0GX)</p> <p>Ginger Root (0GG)</p> <p>Honey (0HO)</p> <p>Maritime Maple (0EM)</p> <p>Mocha (0PM)</p> <p>Sea Salt (0SM)</p> <p>Sesame (0SE)</p> <p>Tobacco Cherry (0TC)</p> <p>Twilight (0TL)</p> <p>White (0BW)</p> <p>Willow Grey (0WG)</p>	<p>Multiply Maple (0V1)</p> <p>Coordinate with surface finishes:</p> <p>Maritime Maple - Mocha</p> <p>Douglas Pine</p>  <p>Actual size image 1" thick surface</p> <p>EDGES STRIPED (WIDE)</p> <p>Maple / Honey striped (0R1)</p> <p>Coordinate with surface finishes:</p> <p>Maritime Maple - Honey</p>  <p>Actual size image 1" thick surface</p>	<p>Black (IMN)</p> <p>Silver (IMW)</p>
<p>SUEDE FINISH</p> <p>Cayenne Maple (MCM)</p> <p>Cherry (MCH)</p> <p>Dark Oak (MDK)</p> <p>Honey (MHO)</p>	<p>NATURAL FINISH</p> <p>Carbon (SCB)</p> <p>Dalia (SDA)</p> <p>Galaxy (SGX)</p> <p>Ginger Root (SGG)</p> <p>Sea Salt (SSM)</p> <p>Sesame (SSE)</p> <p>Twilight (STL)</p>			
<p>SUPERMAT FINISH</p> <p>Chestnut (MCG)</p> <p>Douglas Pine (MDP)</p> <p>Maritime Maple (MEM)</p> <p>Mocha (MPM)</p> <p>Tobacco Cherry (MTC)</p> <p>Willow Grey (MWG)</p>				
<p>AURA FINISH</p> <p>Carbon (MCB)</p> <p>Dalia (MDA)</p> <p>Galaxy (MGX)</p> <p>Ginger Root (MGG)</p> <p>Sea Salt (MSM)</p> <p>Sesame (MSE)</p> <p>Twilight (MTL)</p>				

Price List

rectangular table



Rectangular table with electric height adjustment. Adjustment range: 24 1/2" to 50" H.

The control pad is programmable and installs on the front, left or right.

Base with "T" legs with levelers, Silver or Black finish. Assembly required.

Standard grommet or multi-outlet options available.

To add a Take Off privacy screen, modesty panel or accessory bar, refer to p.12 and 13 for more information.

Dimensions			Code	L Lima 1"		Price		Specifications	
A	B	C		T.F.L.	H.P.L.	Cu. Ft	lb		
29	70	27 1/2	TEE3Pi2970	1615	1845	4.4	112		
29	64	27 1/2	TEE3Pi2964	1598	1808	4.2	107		
29	58	27 1/2	TEE3Pi2958	1579	1770	4.0	102		
29	52	27 1/2	TEE3Pi2952	1561	1733	3.8	97		
29	46	27 1/2	TEE3Pi2946	1460	1612	3.6	90		
23	70	23 1/2	TEE3Pi2370	1587	1771	4.0	102		
23	64	23 1/2	TEE3Pi2364	1573	1741	3.8	97		
23	58	23 1/2	TEE3Pi2358	1550	1703	3.6	93		
23	52	23 1/2	TEE3Pi2352	1535	1671	3.4	89		
23	46	23 1/2	TEE3Pi2346	1434	1557	3.2	83		



Grommet and multi-outlets positions

S SPECIFY

O OPTIONS

Code - - Surface / - Edge - - Metal - - Grom. - - M-Outlet -

S Code: Consult the above price list.

Surface / Edge: Specify Take Off finishes for the surface and edge, see p.15.

Metal: Specify the leg finish: Black (IMN) or Silver (IMW).

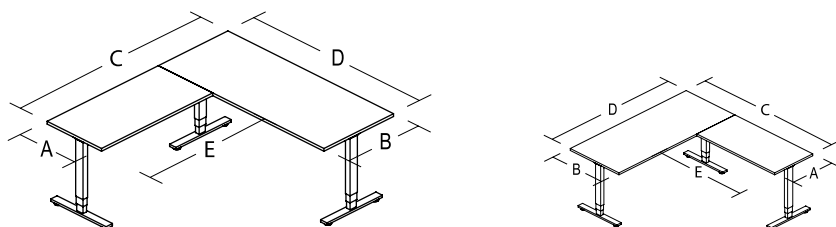
O **Grommet:** White grommet option (G1...) on the left ... (L), and/or right ... (R), or Charcoal grommet (G2...) on the left ... (L), and/or right ... (R), add \$32 each, see p.9.

Multi-outlet: Multi-outlet "standard" position (UC...) on the left ... (L), and/or right ... (R), add \$213 each, see p.9.

take off ADJUSTABLE TABLES II

price list

90° corner table with rectangular reversible surface



90° corner table with rectangular surface with electric height adjustment. Adjustment range: 24 1/2" to 50" H.

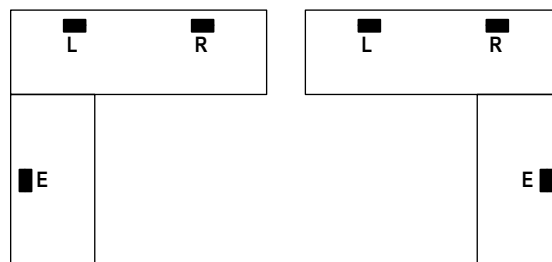
The control pad is programmable and installs on the front, left or right.

Base with "T" legs with levelers, Silver or Black finish. Assembly required.

Standard grommet or multi-outlet options available.

To add a Take Off privacy screen, modesty panel or accessory bar, refer to p.12 and 13 for more information.

						L Lima 1"			
Dimensions					Code	Price		Specifications	
A	B	C	D	E		T.F.L.	H.P.L.	Cu. Ft	lb
23	29	76	70	47	TEE3PCR23297670	2493	2847	6.7	171
23	29	70	70	41	TEE3PCR23297070	2476	2814	6.6	167
23	29	64	70	35	TEE3PCR23296470	2454	2778	6.4	163
23	23	70	70	47	TEE3PCR23237070	2465	2774	6.3	160
23	23	64	70	41	TEE3PCR23236470	2449	2741	6.1	156
23	23	58	70	35	TEE3PCR23235870	2427	2704	5.9	152



Grommet and multi-outlet positions

S SPECIFY

TL - Code - Surface / Edge - Metal - Grom. P - Grom. R - M-Outlet P - M-Outlet R

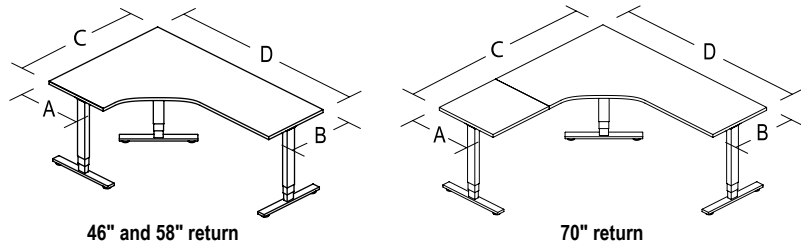
O OPTIONS

- S** **Code:** Consult the above price list.
- Surface / Edge:** Specify Take Off finishes for the surface and edge, see p.15.
- Metal:** Specify the leg finish: Black (IMN) or Silver (IMW).
- O** **Grommet main surface:** White grommet option (G1...) on the left ... (L), and/or right ... (R), or Charcoal grommet (G2...) on the left... (L), and/or right ... (R), add \$32 each, see p.9
- Grommet return surface:** White grommet option (G1) in the center... (E) or Charcoal grommet (G2) in the center... (E), add \$32 each, see p.9.
- Multi-outlet main surface:** Multi-outlet "Standard" option (UC...) on the left ... (L), and/or right ... (R), add \$213 each, see p.9.
- Multi-outlet return surface:** Multi-outlet "Standard" option (UC...) in the center... (E), add \$213 each, see p.9.

take off ADJUSTABLE TABLES II

price list

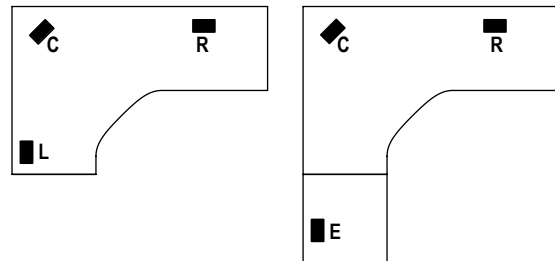
90° right extended corner tables with curved interior access



90° corner table with curved interior access with electric height adjustment. Adjustment range: 24 1/2" to 50" H.
 The control pad is programmable and installs on the front, left or right.
 Base with "T" legs with levelers, Silver or Black finish. Assembly required.
 Standard grommet or multi-outlet options available.
 To add a Take Off privacy screen, modesty panel or accessory bar, refer to p.12 and 13 for more information.

Dimensions					Code		Price		Specifications	
A	B	C	D	E		T.F.L.	H.P.L.	Cu. Ft	lb	
23	29	70	82	2	TEE3PCO23297082R	2671	3136	8.1	179	
23	29	70	70	2	TEE3PCO23297070R	2624	3029	7.5	168	
23	29	58	70	1	TEE3PCO23295870R	2459	2889	7.8	160	
23	23	70	82	2	TEE3PCO23237082R	2638	3102	8.1	170	
23	23	70	70	2	TEE3PCO23237070R	2592	2998	7.5	162	
23	23	58	70	1	TEE3PCO23235870R	2427	2857	7.8	153	
23	23	46	70	1	TEE3PCO23234670R	2317	2658	6.8	144	
23	23	58	58	1	TEE3PCO23235858R	2361	2717	7.0	145	
23	23	46	58	1	TEE3PCO23234658R	2258	2541	6.1	136	

E: Number of sections



Grommet and multi-outlet positions

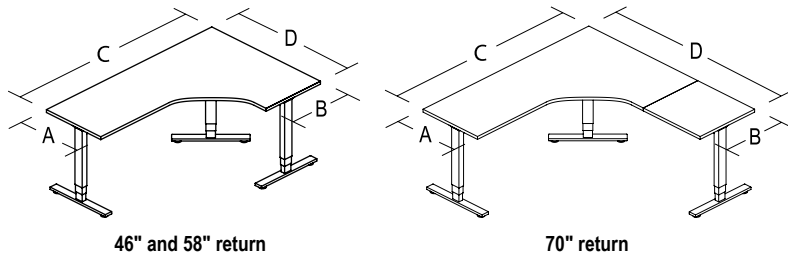
S SPECIFY

TL - Code - Surface / Edge - Metal - Grom. P - Grom. R - M-Outlet P - M-Outlet R

O OPTIONS

- S** Code: Consult the above price list.
- S** Surface / Edge: Specify Take Off finishes for the surface and edge, see p.15.
- S** Metal: Specify the leg finish: Black (IMN) or Silver (IMW).
- O** Grommet main surface: White grommet option (G1...) on the left ... (L), and/or right ... (R), or Charcoal grommet (G2...) on the left ... (L), and/or right... (R), add \$32 each, see p.9
- O** Grommet return surface: White grommet option (G1) in the center... (E) or Charcoal grommet (G2) in the center... (E), add \$32 each, see p.9.
- O** Multi-Outlet main surface: Multi-outlet "standard" option (UC...) on the left ... (L), in the center... (C) and/or right ... (R), add \$213 each, see p.9.
- O** Multi-Outlet return surface: Multi-outlet "standard" option (UC...) in the center... (E), add \$213 each, p.9.

90° left extended corner tables with curved interior access



90° corner table with curved interior access with electric height adjustment. Adjustment range: 24 ½" to 50" H.

The control pad is programmable and installs on the front, left or right.

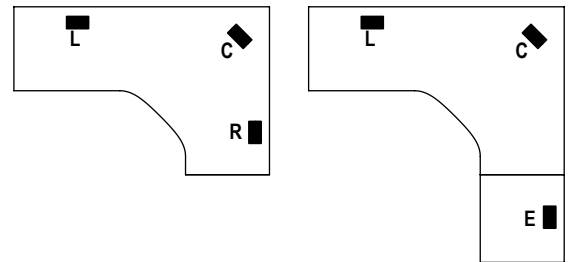
Base with "T" legs with levelers, Silver or Black finish. Assembly required.

Standard grommet or multi-outlet options available.

To add a Take Off privacy screen, modesty panel or accessory bar, refer to p.12 and 13 for more information.

						L Lima 1"			
Dimensions					Code	Price		Specifications	
A	B	C	D	E		T.F.L.	H.P.L.	Cu. Ft	lb
29	23	82	70	2	TEE3PCO29238270L	2671	3136	8.1	179
29	23	70	70	2	TEE3PCO29237070L	2624	3029	7.5	168
29	23	70	58	1	TEE3PCO29237058L	2459	2889	7.8	160
23	23	82	70	2	TEE3PCO23238270L	2638	3102	8.1	170
23	23	70	70	2	TEE3PCO23237070L	2592	2998	7.5	162
23	23	70	58	1	TEE3PCO23237058L	2427	2857	7.8	153
23	23	70	46	1	TEE3PCO23237046L	2317	2658	6.8	144
23	23	58	58	1	TEE3PCO23235858L	2361	2717	7.0	145
23	23	58	46	1	TEE3PCO23235846L	2258	2541	6.1	134

E: Number of sections



Grommet and multi-outlet positions

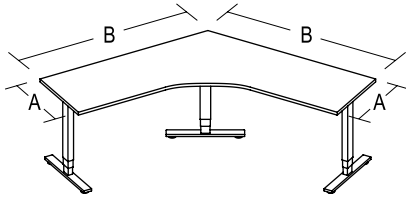
S SPECIFY

O OPTIONS

TL - Code - Surface / Edge - Metal - Grom. P - Grom. R - M-Outlet P - M-Outlet R

- S** Code: Consult the above price list.
- S** Surface / Edge: Specify Take Off finishes for the surface and edge, see p.15.
- S** Metal: Specify the leg finish: Black (IMN) or Silver (IMW).
- O** Grommet main surface.: White grommet option (G1...) on the left ... (L), and/or right ... (R), or Charcoal grommet (G2...) on the left... (L), and/or right ... (R), add \$32 each, see p.9
- O** Grommet return surface.: White grommet option (G1) in the center... (E) or Charcoal grommet (G2) in the center... (E), add \$32 each, see p.9.
- O** Multi-outlet main surface: Multi-outlet "standard" option (UC...) on the left ... (L), in the center... (C) and/or right ... (R), add \$213 each, see p.9.
- O** Multi-outlet return surface: Multi-outlet "standard" option (UC...) in the center... (E), add \$213 each, see p.9.

120° corner table with curved interior access



120° corner table with curved interior access with electric height adjustment. Adjustment range: 24 1/2" to 50" H.

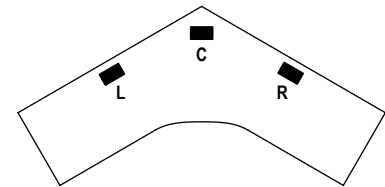
The control pad is programmable and installs on the front, left or right.

Base with "T" legs with levelers, Silver or Black finish. Assembly required.

Standard grommet or multi-outlet options available.

To add a Take Off privacy screen, modesty panel or accessory bar, refer to p.12 and 13 for more information.

			L Lima 1"			
Dimensions		Code	Price		Specifications	
A	B		T.F.L.	H.P.L.	Cu. Ft	lb
29	58	TEE3PCV29295858	2428	3003	9.4	161
29	52	TEE3PCV29295252	2363	2850	8.4	152
29	46	TEE3PCV29294646	2200	2605	7.4	140
23	58	TEE3PCV23235858	2394	2914	8.7	148
23	52	TEE3PCV23235252	2333	2771	7.9	140
23	46	TEE3PCV23234646	2173	2534	7.0	131



Grommet and multi-outlet positions

S SPECIFY

O OPTIONS

Code Surface Edge Metal Grom. M-Outlet

TL - - / - - -

S Code: Consult the above price list.

Surface / Edge: Specify Take Off finishes for the surface and edge, see p.15.

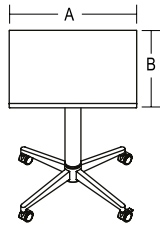
Metal: Specify the leg finish: Black (IMN) or Silver (IMW).

O **Grommet:** White grommet option (G1...) on the left ... (L), in the center... (C) and/or right ... (R), or Charcoal grommet (G2...) on the left ... (L) in the center... (C), and/or right ... (R), add \$32 each, see p.9

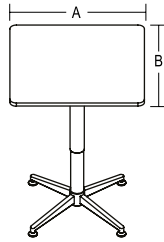
Multi-outlet: Multi-outlet "standard" position (UC...) on the left ... (L), and/or center... (C), and/or right ... (R), add \$213 each, see p.9.



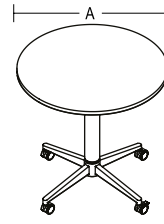
adjustable meeting tables



Square surface



Square surface with rounded corners



Round surface

Square or round table with pneumatic height adjustment.

Adjustment range:

With levelers: 27 1/4" to 42 1/2" (Lima 1" surface).

With casters: 29" to 44 1/4" (Lima 1" surface).

Metal base choice of Black or Silver finish, 4 casters and 4 levelers included.

Dimensions		Code	Price		Spec.	
A	B		T.F.L.	H.P.L.	Cu. Ft	lb
SQUARE SURFACE						
30	30	POPUPS3030	703	800	4.3	43
24	24	POPUPS2424	680	741	3.8	34
SQUARE SURFACE WITH ROUNDED CORNERS						
30	30	POPUPSR3030	769	866	4.3	43
24	24	POPUPSR2424	747	809	3.8	34
ROUND SURFACE						
30		POPUPR30	755	851	4.3	43

S SPECIFY

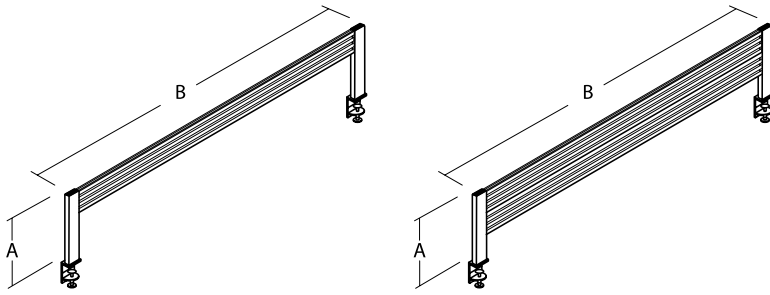
TL - Code - Surface / Edge - Metal

S Code: Consult the above price list.

Surface / Edge: Specify Take Off finishes for the surface and edge, see p.15.

Metal: Specify the leg finish: Black (IMN) or Silver (IMW).

accessory bars on posts



Single or double accessory bar on supporting posts. The bar has one functional side. Silver finish, with Black covers on the posts.

Designed for use with a flat screen arm-support, see p.12. Can also hold Artopex accessories, see the Accessories price list.

Accessory bars 59 1/2" and up have an additional central post. Some screws are noticeable on the back of the bars.

Installs with screw clamps to a 1", 1 1/2" or 2" thick work surface.

The modesty panel must be recessed under the surface of the table to provide space for the accessory bar screw clamps.

The chart below indicates the **maximum length** of the accessory bar that can be installed on a height-adjustable table.

Dimensions			Code	Price	To use with table (length):			Specifications	
A	B	C			rect. / 2 deep	curved	corner	Cu.Ft.	lb
12	65 1/2	3	VAPBS1266	568	70"	71"		2.1	13
12	59 1/2	3	VAPBS1260	557	64"	65"		2.0	12
12	53 1/2	2	VAPBS1254	382	58"	59"		1.9	10
12	47 1/2	2	VAPBS1248	375	52"	53"		1.8	9
12	41 1/2	2	VAPBS1242	370	46"	47"	46"	1.8	8
12	35 1/2	2	VAPBS1236	364	40"		40"	1.7	7
12	29 1/2	2	VAPBS1230	348	34"			1.7	6
12	65 1/2	3	VAPBD1266	743	70"	71"		2.4	18
12	59 1/2	3	VAPBD1260	706	64"	65"		2.3	17
12	53 1/2	2	VAPBD1254	496	58"	59"		2.2	14
12	47 1/2	2	VAPBD1248	485	52"	53"		2.1	13
12	41 1/2	2	VAPBD1242	473	46"	47"	46"	2.1	12
12	35 1/2	2	VAPBD1236	461	40"		40"	1.9	11
12	29 1/2	2	VAPBD1230	428	34"			1.9	10

C: Number of posts

S SPECIFY

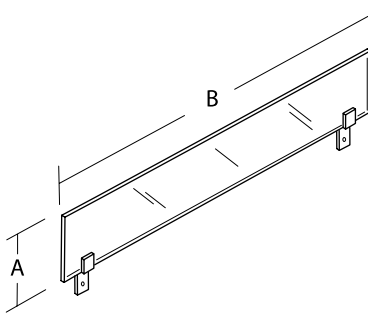
Code
AC - - 3090

S Code: Consult the above price list.

complements

price list

frosted acrylic screens for accessory bars on posts



8" H. rectangular frosted (on one side) acrylic screen, 1/4" thick.

The screen installs on top of the accessory bar (same length), with posts (single or double) and attaches to the back, see p.12.

The supports have a Silver finish.

Dimensions			Code	Price	Specifications	
A	B	C			Cu.Ft.	lb
8	65½	4	VRB66	352	0.5	7
8	59½	4	VRB60	343	0.4	6
8	53½	3	VRB54	295	0.4	5
8	47½	3	VRB48	286	0.4	5
8	41½	3	VRB42	274	0.3	4
8	35½	2	VRB36	228	0.3	3
8	29½	2	VRB30	215	0.2	3

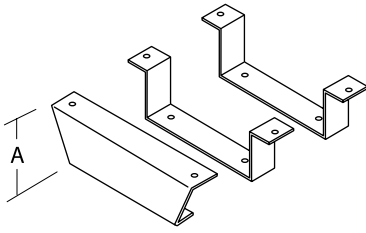
C: Number of supports included

S SPECIFY

AC - - 3090

S Code: Consult the above price list.

spacing brackets



Metal spacing brackets, Black finish.

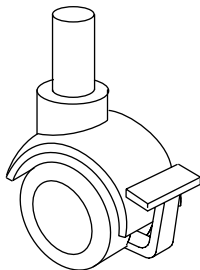
Ergonomic accessories can be installed (keyboard tray, CPU support) under the surface of an adjustable table or under any other surface equipped with structural beams.

The brackets lower the installation plate for the accessories by 2 ¼".

Attaches to the keyboard tray or CPU support with bolts (included) then to the surface with screws, see p.14

Dimensions		Code	Price	Specifications	
A				Cu.Ft.	lb
2¼		AC-OSB	78	0.5	2

casters for adjustable table bases



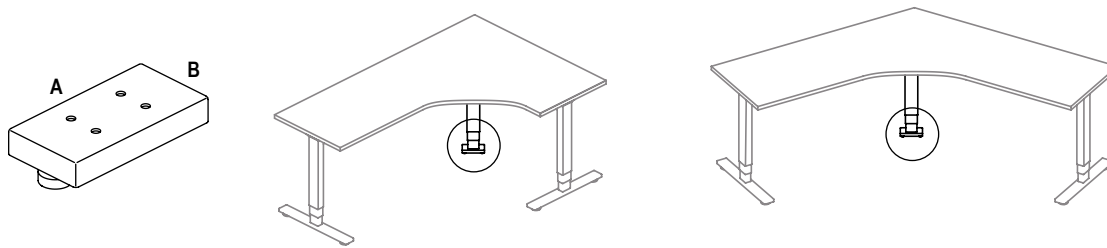
Set of 4 casters, 2 with brakes. Installs on base of the adjustable table.

Black finish.

Adds 2" to the table height, see p.7

	Code	Price	Specifications	
			Cu.Ft.	lb
4 casters	TL-CAS4	55	0.2	1

short footing



Short footing for corner leg.
Replaces standard footing.

Dimensions		Code	Price	Specifications	
A	B			Cu.Ft.	lb
5½	2¾	AC-BUNF	20	0.1	1

S SPECIFY

Code Metal

AC - -

- S** Code : Consult the above price list.
Metal: Specify the finish for the legs: Black (IMN) or Silver (IMW).

UPDATE SUMMARY

May 1st 2018

PAGES	SECTION	PRODUCT	MODIFICATION
p.7	General information	Power cords	Length corrections
p.15	General information	Finish choices chart	Laminate finishes updated. Refer to the new Artopex laminate cards for new finishes and corrections.

August 20th 2018

PAGES	SECTION	PRODUCT	MODIFICATION
p.7	General information	"T" Bases	Added dimension for the length of the "T" base.
p.17	Price list	Table rectangulaire	Added dimension (C) for the length of the "T" base.
p.20	Price list	90° left extended corner tables with curved interior access	US price only.: grommet upcharge correction. Should be \$32 and not \$29.

September 10th 2018

PAGES	SECTION	PRODUIT	MODIFICATION
		Conditions & Guarantees	Conditions & guarantees have been removed from the Take Off, Adjustable tables II price list. Please refer to the Artopex Warranty Guide in effect at artopex.com in the Member Zone / Documentation section.
p.7	General information	Electric height adjustment	Weight correction for the weight capacity. 2 legs 320 instead of 265 lbs and 3 legs 400 instead of 300 lbs.

January 15th 2019

PAGES	SECTION	PRODUIT	MODIFICATION
p.17-19	Price list		US price only.: grommet upcharge correction. Should be \$32 and not \$29.
p.22	Price list	Adjustable meeting tables	New products.

*Designing, manufacturing, advising, planning
and supporting: that's the art that
distinguishes our purpose at Artopex.*



ARTOPEX
Head office
artopex.com

800 Vадnais Street
Granby, QC, Canada J2J 1A7
T 1 800 378 0189